

# WTU-508 Specifications

GENERAL	
Acquisition	<ul style="list-style-type: none"> <li>• Data filtering, compression &amp; time stamping</li> <li>• 24 bits A/D conversion</li> </ul>
Sensor tests	Resistance, tilt, noise
Instrument tests	Noise, gain, phase, distortion
Memory autonomy (2 ms sampling)	1400 hr
Battery autonomy (Autonomous mode)	720 hr
External voltage input	11 VDC - 16.8 VDC
Weight	2.1 Kg

ENVIRONMENTAL LIMITS	
Operational temperature	-40°C to +60°C *
Storage temperature	-40°C to +60°C
Ingress protection	IP68 to 1 m submersion
Battery charge temperature	0°C to +40°C

RADIO TRANSMISSION XT-Pathfinder	
Frequency band	2405 MHz - 2470 MHz
Spreading method	FHSS
Data rate	100 kbps
Range	100 m nominal LOS
Monitored parameters	Sensor, battery, GPS, memory, ambient noise

RADIO TRANSMISSION WiFi	
WLAN Frequency band	a, b, g ,n
Data payload	15 Mbps (a, g)
Range	800 m nominal (2.4 GHz band) LOS

\* The temperature range can be extended with a specific external battery

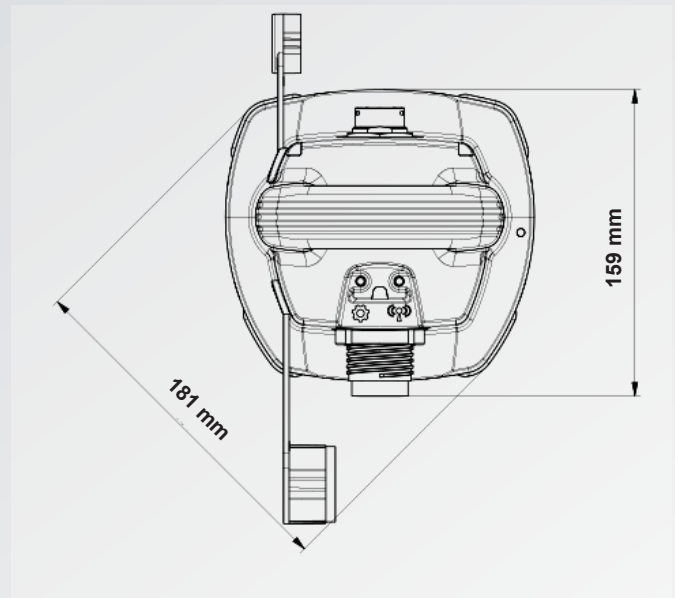
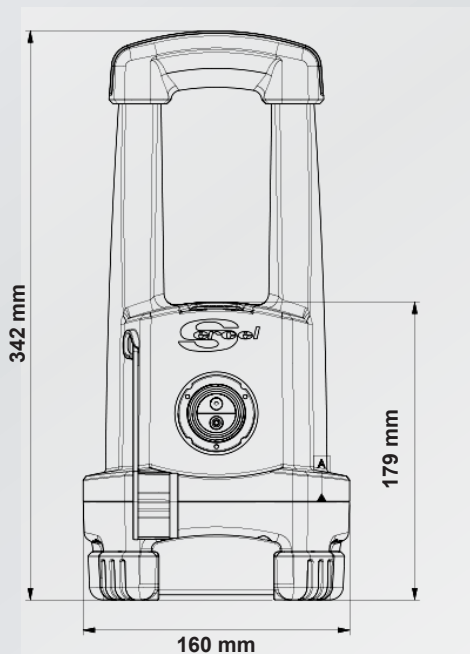
## GNSS

Supported constellations	GPS L1 C/A, GLONASS, GALILEO
Cold start acquisition sensitivity	-148 dBm

## SENSOR PARAMETERS

Sample rate	4, 2, 1, 0.5 ms
Timing accuracy	<20 us
Input impedance differential mode	20 kΩ // 77 nF
Full scale	1.6V RMS (0 dB), 400 mV RMS (12 dB)
Noise (3-200Hz)	450 nV RMS (0 dB), 145 nV RMS (12 dB)
Instant dynamic range	130 dB
System dynamic range	140 dB
Distortion	-110 dB
Gain accuracy	< 0.1%
Low cut filter	Selectable : (None, 0.15625 Hz, 0.3125 Hz, 0.625 Hz, 1.25 Hz, 2.5 Hz)
High cut filter	0.8 FN linear or minimum phase

Note: Sercel reserves the right to change its specifications without prior notice.  
All specifications are typical at 25°C



### Sercel - France

16 rue de Bel Air  
B.P. 30439 - 44474 CARQUEFOU Cedex  
Téléphone: (33) 2 40 30 11 81  
E-mail: sales.nantes@sercel.com  
SAS au capital de 25 000 000 €  
Siège Social: 16 rue de Bel Air - 44470 CARQUEFOU  
378.040.497 R.C.S. Nantes Code APE 2651B

### Sercel Inc. - U.S.A.

17200 Park Row  
Houston, Texas 77084  
Telephone: (1) 281 492 6688  
E-mail: sales.houston@sercel.com

[www.sercel.com](http://www.sercel.com)  
© Sercel 01/22

