



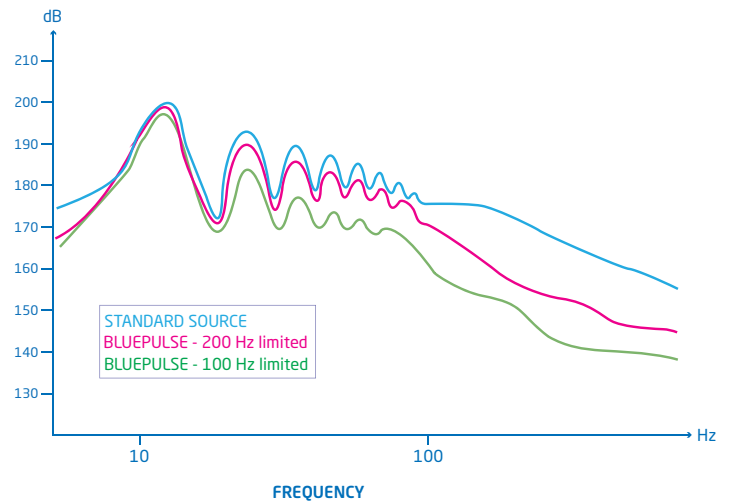
Bluepulse

SENSITIVE AREAS ACOUSTIC SOURCE

BLUEPULSE

Sensitive areas acoustic source

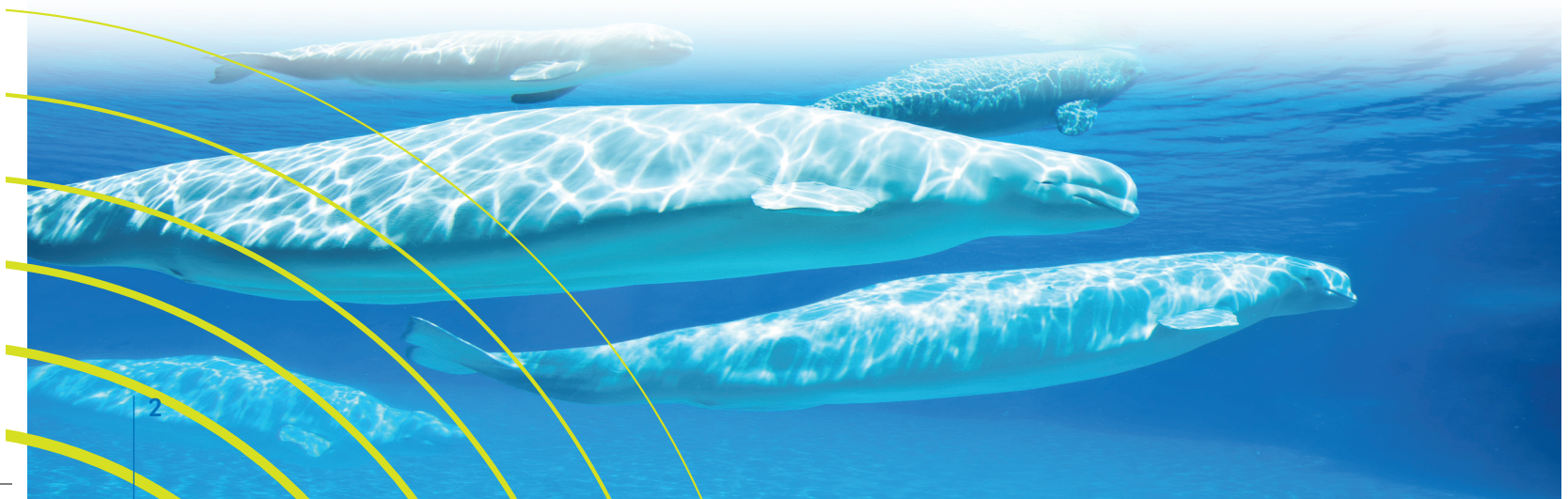
The innovative new Bluepulse from Sercel is the most advanced limited high frequency acoustic source on the market, balancing high performance with environmental sensitivity for seismic survey areas.



COMPLIANT WITH SENSITIVE AREAS

Minimized high-frequency content

The Bluepulse is a purpose-built acoustic source designed to help protect marine wildlife from high-frequency emissions, while maintaining highly accurate and dependable results for seismic acquisition. The range is available in two frequency limitations (100 Hz & 200 Hz) to comply perfectly with the regulatory environmental standards.



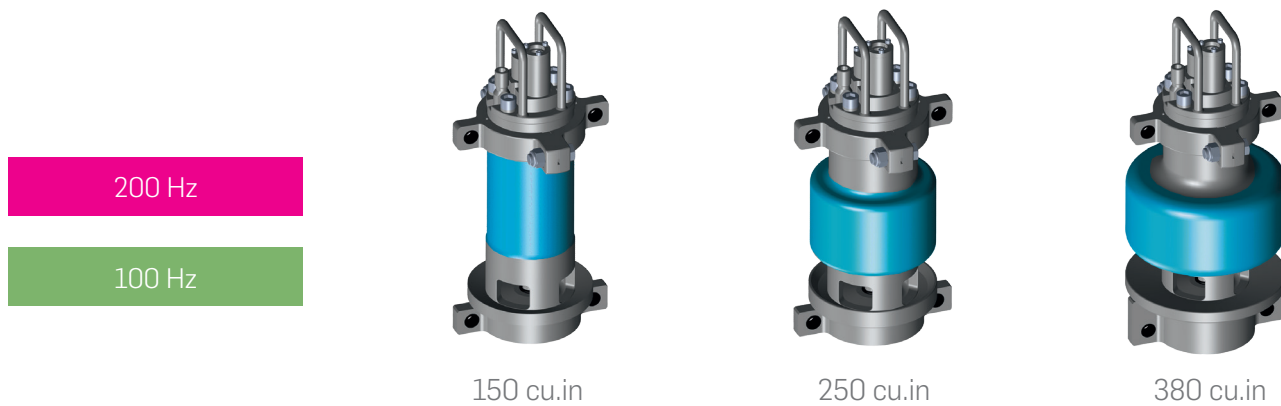
ADAPTABLE TO ANY VESSEL

A simple upgrade to comply with regulatory sensitive surveys

Through intelligent engineering and design, Sercel can upgrade its existing G-Source & G-Source II units, saving on the cost of fleet conversions. The upgrade is simple and can save companies up to 40 % versus buying new products for the same purpose. Bluepulse is compatible with all existing peripherals and e-TBs making it an easy choice for limited high frequency surveys.

Configurable

The Bluepulse range is available in 3 different casings (150 cu.in, 250 cu.in & 380 cu.in), 25 different volumes (thanks to the innovative volume reducers technology) but also in 2 frequency limitations (100 Hz & 200 Hz). The source array can thus be configured and customized to meet your exacting survey requirements for sensitive survey areas.



REDUCED HSE RISKS

Smaller and lighter

Bluepulse is 30 % lighter than competing models which means it's easier to handle in the field. In addition, Bluepulse is also smaller so it is better suited for offshore environments with a smaller footprint and less storage space required. Smaller and lighter means less HSE risk.

	BLUEPULSE 150	BLUEPULSE 250	BLUEPULSE 380
Available volume (cu.in)	45 • 50 • 60 • 70 • 80 • 90 • 100 • 110 • 120 • 130 • 140 • 150	180 • 200 • 210 • 220 • 250	320 • 340 • 350 • 360 • 380
Limited frequencies@160 dB	100 Hz • 200 Hz	100 Hz • 200 Hz	100 Hz • 200 Hz
Length	L = 597 mm	L = 597 mm	L = 640 mm
Width	W = 292 mm	W = 292 mm	W = 292 mm
Weight	55 kg	65 kg	85 kg

SERCEL - FRANCE

16 rue de Bel Air
B.P. 30439 - 44474 CARQUEFOU Cedex
Téléphone : (33) 2 40 30 11 81
E-mail : sales.nantes@sercel.com
SAS au capital de 25 000 000 €
Siège Social : 16 rue de Bel Air - 44470 CARQUEFOU
378.040.497 R.C.S. Nantes Code APE 2651B

SERCEL INC. - U.S.A.

17200 Park Row
Houston, Texas 77084
Telephone : (1) 281 492 6688
E-mail : sales.houston@sercel.com

www.sercel.com

© Sercel 06/24

Produced according to the Sercel environmental printing standard

